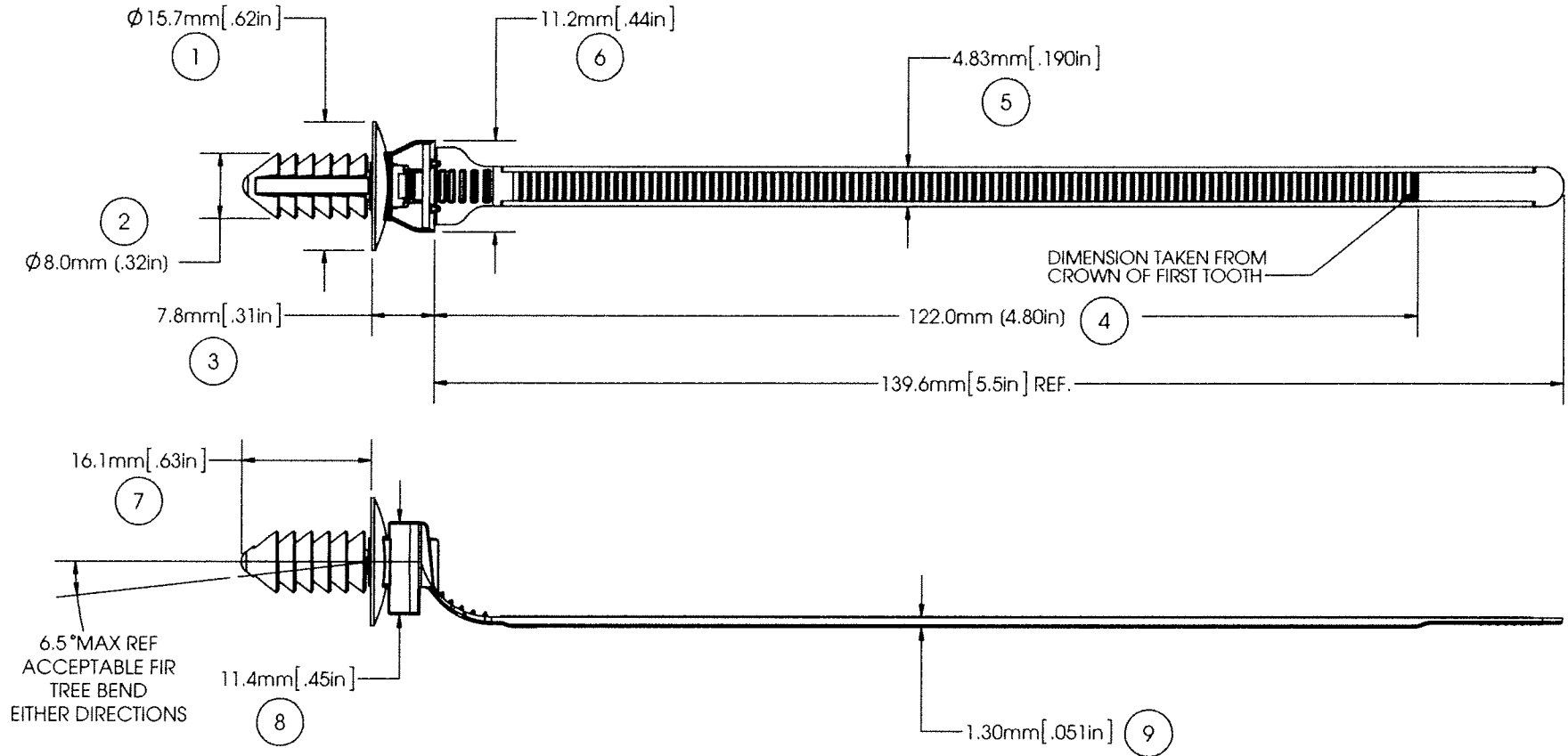


# AVERY DENNISON MARKETING SPECIFICATION

## HISTORY

REV.	DATE	DESCRIPTION
A	09.06.14	RELEASED

THE SUBJECT MATTER DISCLOSED HEREIN EMBODIES PROPRIETARY INFORMATION WHICH IS THE CONFIDENTIAL PROPERTY OF THE AVERY DENNISON CO. NONE OF WHICH SHALL BE COPIED, REPRODUCED, DISCLOSED TO OTHERS, PUBLISHED OR USED IN WHOLE OR IN PART, FOR ANY PURPOSE OTHER THAN THAT FOR WHICH IT IS BEING MADE AVAILABLE WITHOUT THE EXPRESS ADVANCE WRITTEN PERMISSION OF A DULY AUTHORIZED AGENT OF THE COMPANY. THIS DOCUMENT IS THE PROPERTY OF THE AVERY DENNISON CO. AND IS TO BE RETURNED TO THE COMPANY ON DEMAND.



MOUNTING:	HOLE: $\varnothing 6.6\text{MM} \pm 0.25\text{MM}$ PANEL THK: 0.7MM TO 7MM.
TENSILE STRENGTH:	50 LBF / 22.7 KGF MIN.
OPERATING TEMP RANGE:	-40 °F (-40 °C) TO 221 °F (105 °C) CONTINUOUS
WEIGHT:	1.69 GRAMS
BUNDLE DIAMETER:	$\varnothing 1.6\text{MM}$ TO $\varnothing 35.0\text{MM}$
TOOL:	12001-0 - HAND TOOL 12500-0 - PNEUMATIC TOOL
TOOL TENSION SETTING:	6 - 8
PACKAGING:	1000/BAG, 5 BAGS/MASTER

APPROVALS:	ENG. APPR. <i>[Signature]</i> 9/6/14
	Q.A. APPR. <i>[Signature]</i> 9/6/14

SPECIFIED TOLERANCES ARE:		MATERIAL
.XX $\pm$ .03 INCHES	.X $\pm$ .7 MM	NYLON 6/6, HEAT STABILIZED
.XXX $\pm$ .010 INCHES	.XX $\pm$ .25 MM	COLOR
ANGULAR: $\pm 2^\circ$		BLACK

<b>AVERY DENNISON</b> <small>FASTENER DIVISION                      FITCHBURG, MA 01420 U.S.A.                      TEL: 1-800-225-5913                      FAX: 978-353-8157</small>	DESCRIPTION
	LOW INSERTION FIR TREE, 5.5" TIE, HEAT STABILIZED
STOCK NO.	REV.
20168-0	A

5 4 3 2 1